

First installation guide



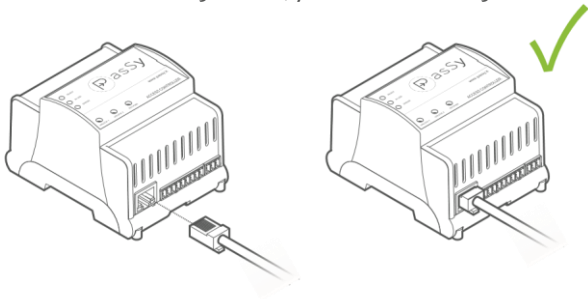
Power

Use a power supply with 7 V^{DC} min to 24 V^{DC} max (Volt DC).

Quick setup

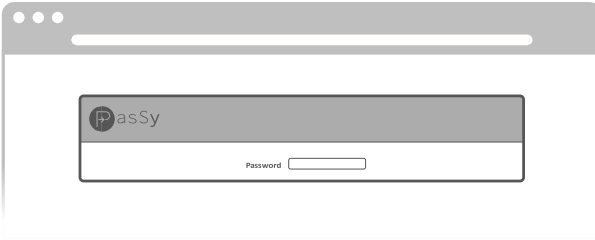
The Passy device comes pre-configured for immediate use with Ethernet cable and DHCP enabled.

To use it with a different configuration, you need to configure it as follows.



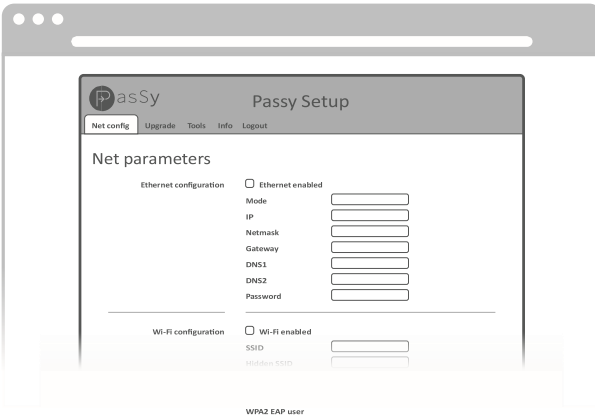
Setup via LAN

1. Use a computer connected to the same network as your device
2. Ask your network administrator or look up the device's IP address in your router's settings
3. Open a browser to *Passy's IP address* <http://IPaddress>
4. Enter the default password "passy1234" to access the configuration page



Password

1. In the **Net Config** menu, configure the connection with the parameters that suit your needs

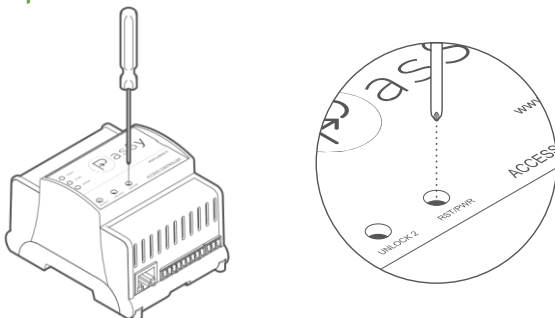


2. When the setup is complete, press the **Apply** button at the bottom to save the new settings, the device will restart
3. **Once the restart is complete, the device is ready to use**

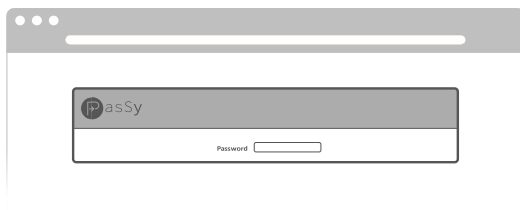
Setup via Wi-Fi

The Passy device can generate its own Wi-Fi network to allow configuration in the absence of an Ethernet cable.

1. Wait until the green and red LEDs flash at the same time
2. Press and hold the **RST/PWR** button for 4 seconds and then release it to enter **Setup mode**



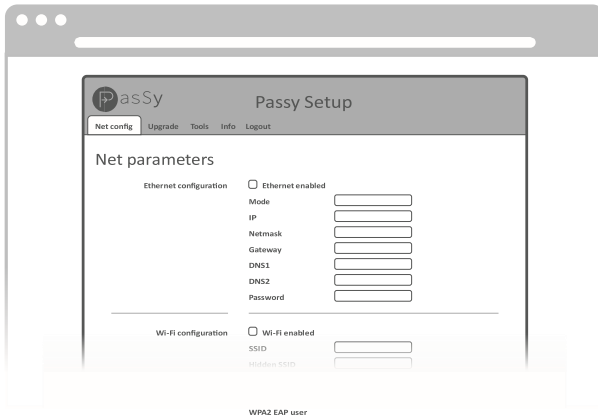
3. After a few seconds, all LEDs will flash sequentially at the same time and the device will enter **Access point mode**, generating a Wi-Fi network with an active DHCP server
4. Connect from a PC or smartphone to the new Wi-Fi network generated named "**passy-xx-yy**", no password will be required
5. Open a browser and navigate to **http://:192.168.42.1**
6. Enter the default password "**passy1234**" to access the configuration page



Password

Setup via Wi-Fi

7. In the **Net Config** menu, configure the connection with the parameters that suit your needs



8. When the setup is complete, press the **Apply** button at the bottom to save the new settings, the device will restart
9. **Once the restart is complete, the device is ready to use**